

MV140W

SOLENOID VALVE

3-Way 2-Pos / Direct Acting



 **MAROTTA®**

We're in Control

MV140W / DIRECT ACTING SOLENOID

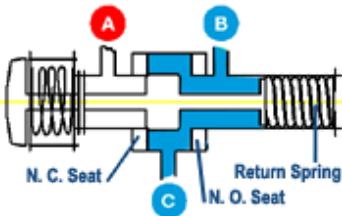
3-Way 2-Position Direct Acting

Direct Acting Solenoid Valve

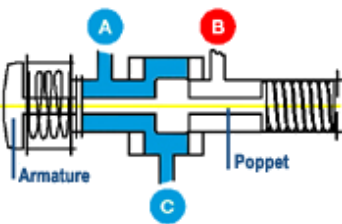
In the de-energized position, Port “A” is blocked by the poppet, which is held against the normally closed seat by the poppet return spring. Port “B” is directly open to Port “C”, permitting flow in either direction.

With power applied, the solenoid armature assembly moves the poppet away from the normally closed seat onto the normally open seat. Now Port “A” and Port “C” are interconnected and Port “B” is sealed from Port “C”.

De-Energized Position



Energized Position



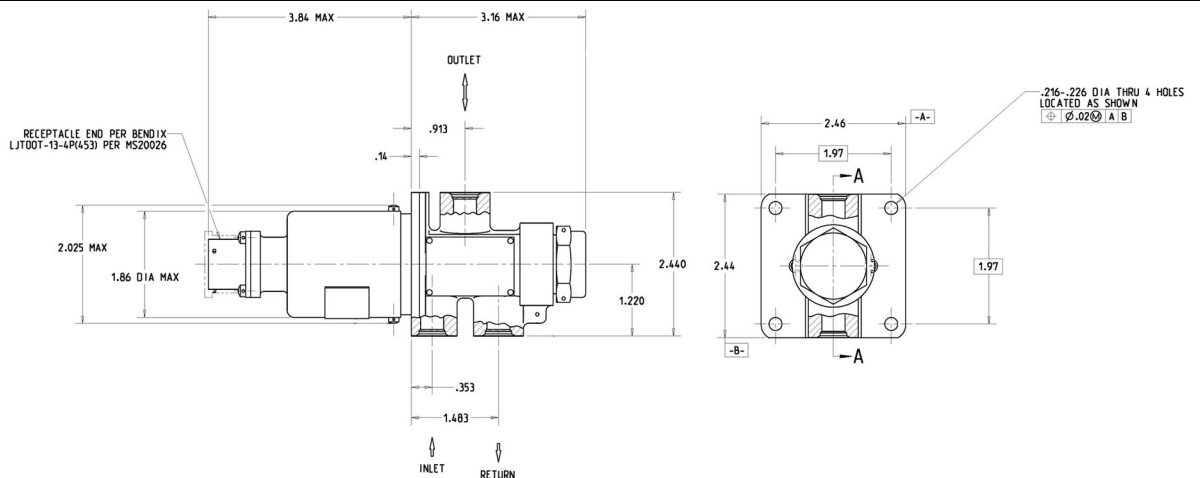
Features:

- Balanced poppet
- Optimum size to weight ratio
- Bubble tight sealing
- High reliability and quality
- Standard inert pneumatic fluids
- Versatile; 2-Way, 3-Way
- Continuous operation

Model	MV140W
Part Number	283824-XXXX
Pressure Range	0-495 psig (0-34.1 bar)
Proof Pressure	750 psig (51.7 bar)
Burst Pressure	1200 psig (82.7 bar)
End Connections	MS33649-4
Electrical	Continuous Duty 22-32 VDC 1 amp at 24 VDC Resistance: 23-26 ohms Connector: MS20026
Cv	0.6
ESEOD	0.18 in (4.57mm)
Body Material	ALALY 7075-T73
Trim	CRES
Seat Material	Teflon
Seal Material	Special Compound
Weight	1.5 lbs (0.7 kg)

Note: The listed performance data represents specific program requirements and not the design limitations of the device.

INSTALLATION - MV140W



MAROTTA®

78 Boonton Avenue
P.O. Box 427
Montville, NJ 07045 USA
1.973.334.7800 marotta.com

WHEN IT COMES TO
SPECIALTY FLUID CONTROLS
WE'RE IN CONTROL